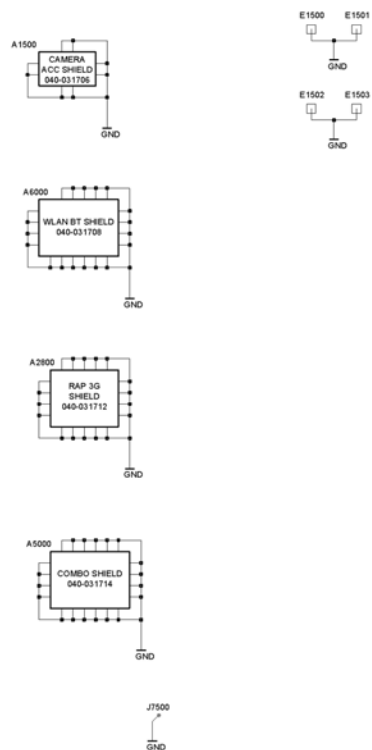
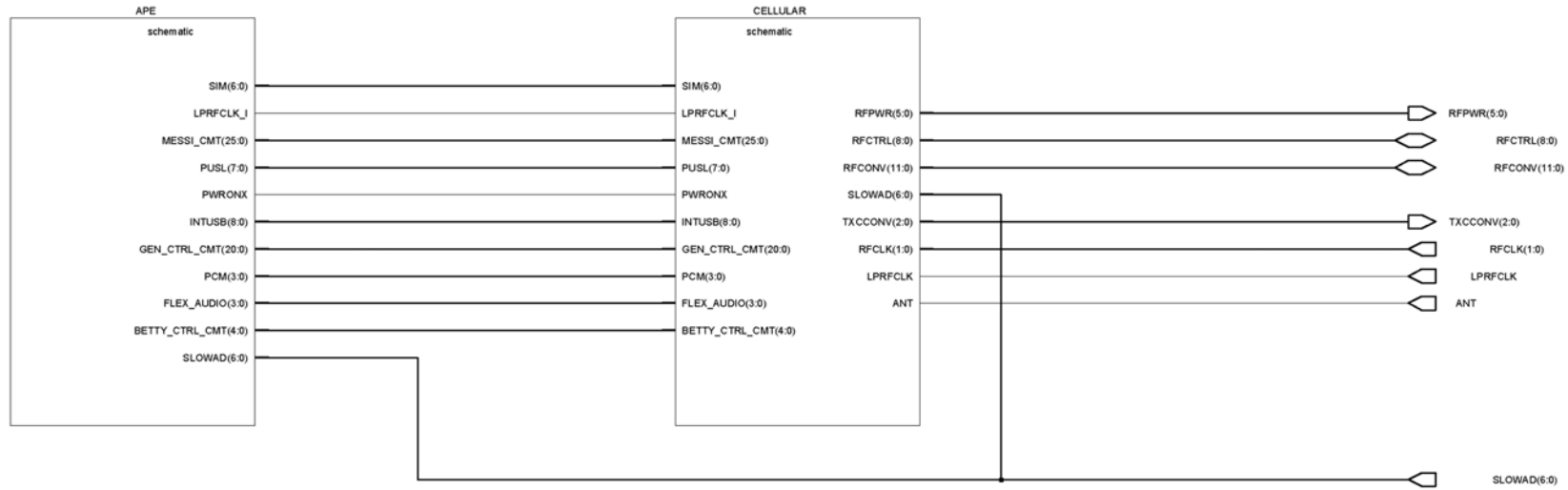


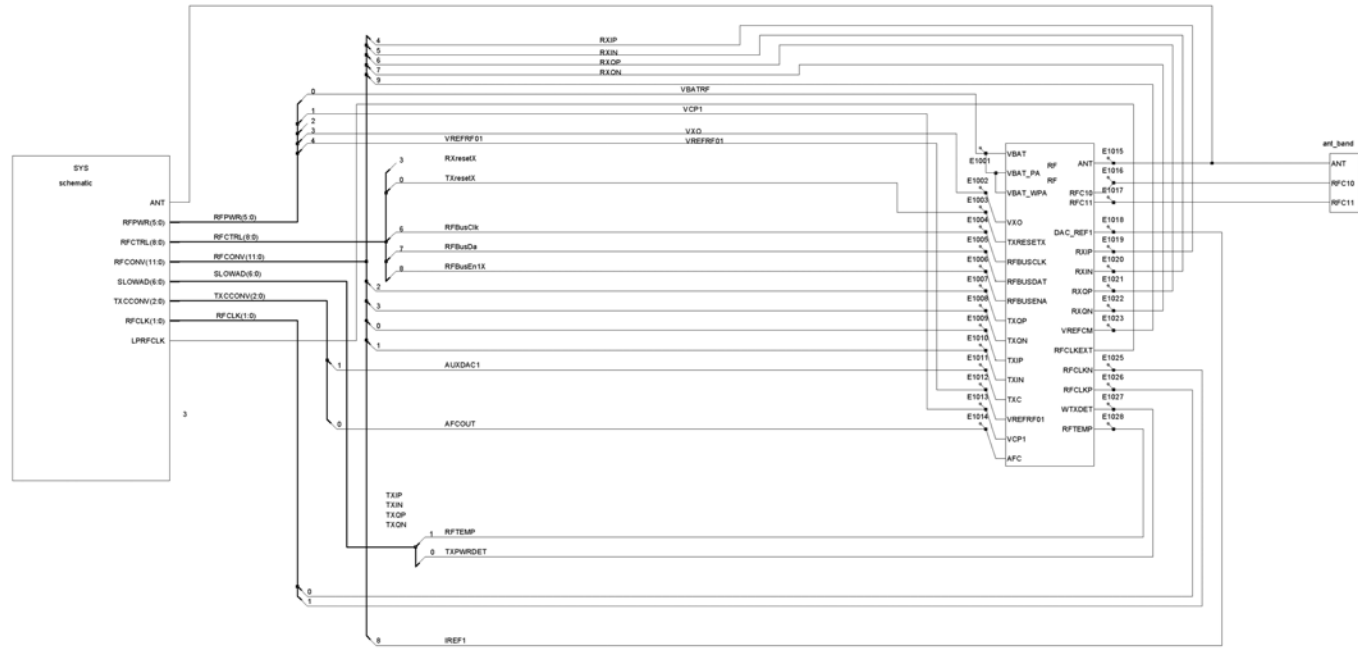
■ **BB and RF shields**



■ BB top level



■ BB and RF

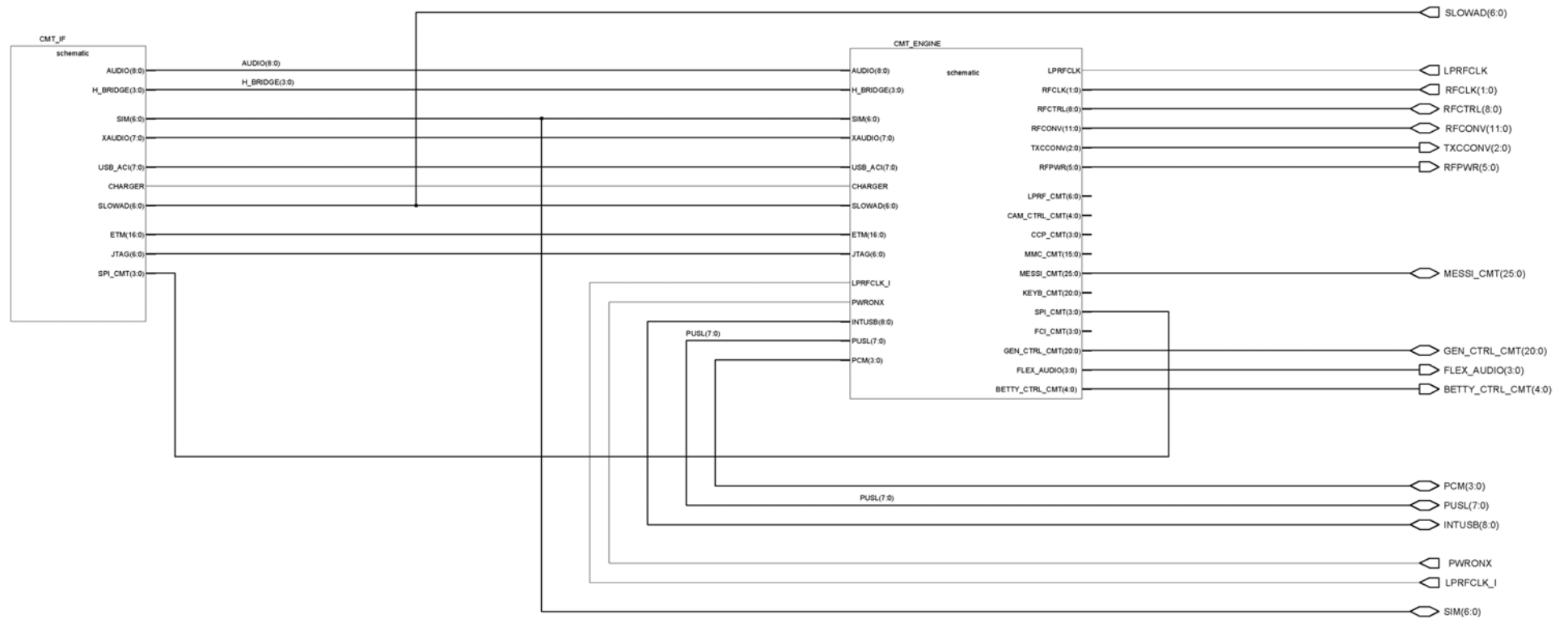


CMT SHEET NAME	REF AREA
1yb_hw/cellular/cmt_engine/digi/rap	2800-2899
1yb_hw/cellular/cmt_engine/digi/mem_cmt	3000-3099
1yb_hw/cellular/cmt_engine/power/retu	2200-2299
1yb_hw/cellular/cmt_engine/power/tahvo	2300-2399
1yb_hw/cellular/cmt_if/sys_conn	2000-2059
1yb_hw/cellular/cmt_if/prod_test_pattern	2060-2069
1yb_hw/cellular/cmt_if/battery_conn	2070-2099
1yb_hw/cellular/cmt_if/audio	2100-2199
1yb_hw/cellular/cmt_if/sim	2700-2759

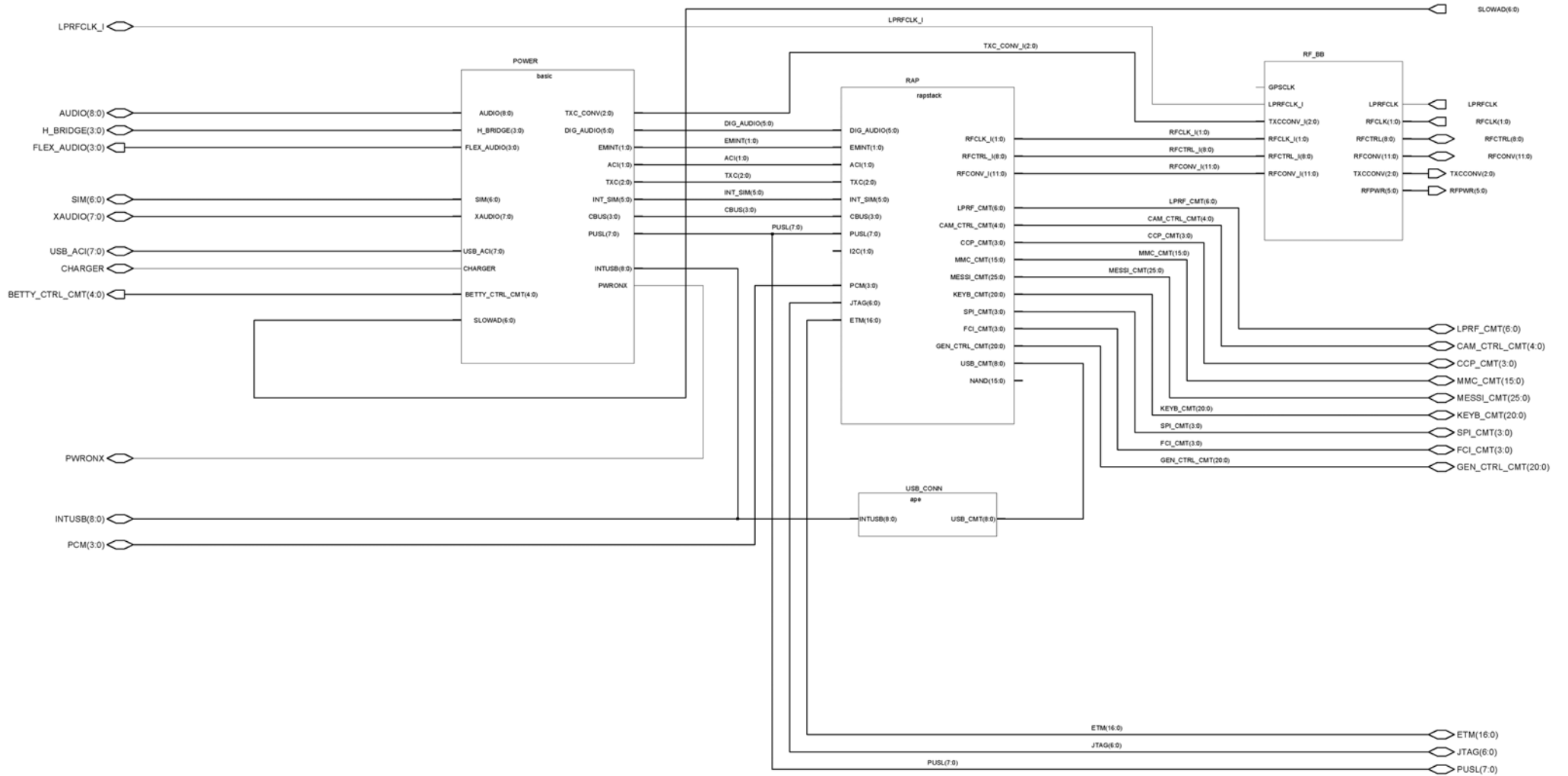
APE SHEET NAME	REF AREA
1yb_hw/ape/ape_engine/mem_ape	5000-5099
1yb_hw/ape/ape_engine/cpu	4800-4899
1yb_hw/ape/ape_engine/pwr_ape	4200-4399
1yb_hw/ape/ape_if/emu_ape	5100-5199
1yb_hw/ape/ape_if/bluetooth	6000-6099
1yb_hw/ape/ape_if/mmc	5200-5299
1yb_hw/ape/ape_if/camera	1500-1599
1yb_hw/ape/ape_if/ui	4400-4599

RF SHEET NAME	REF AREA
1yb_hw/RF	7500-7599

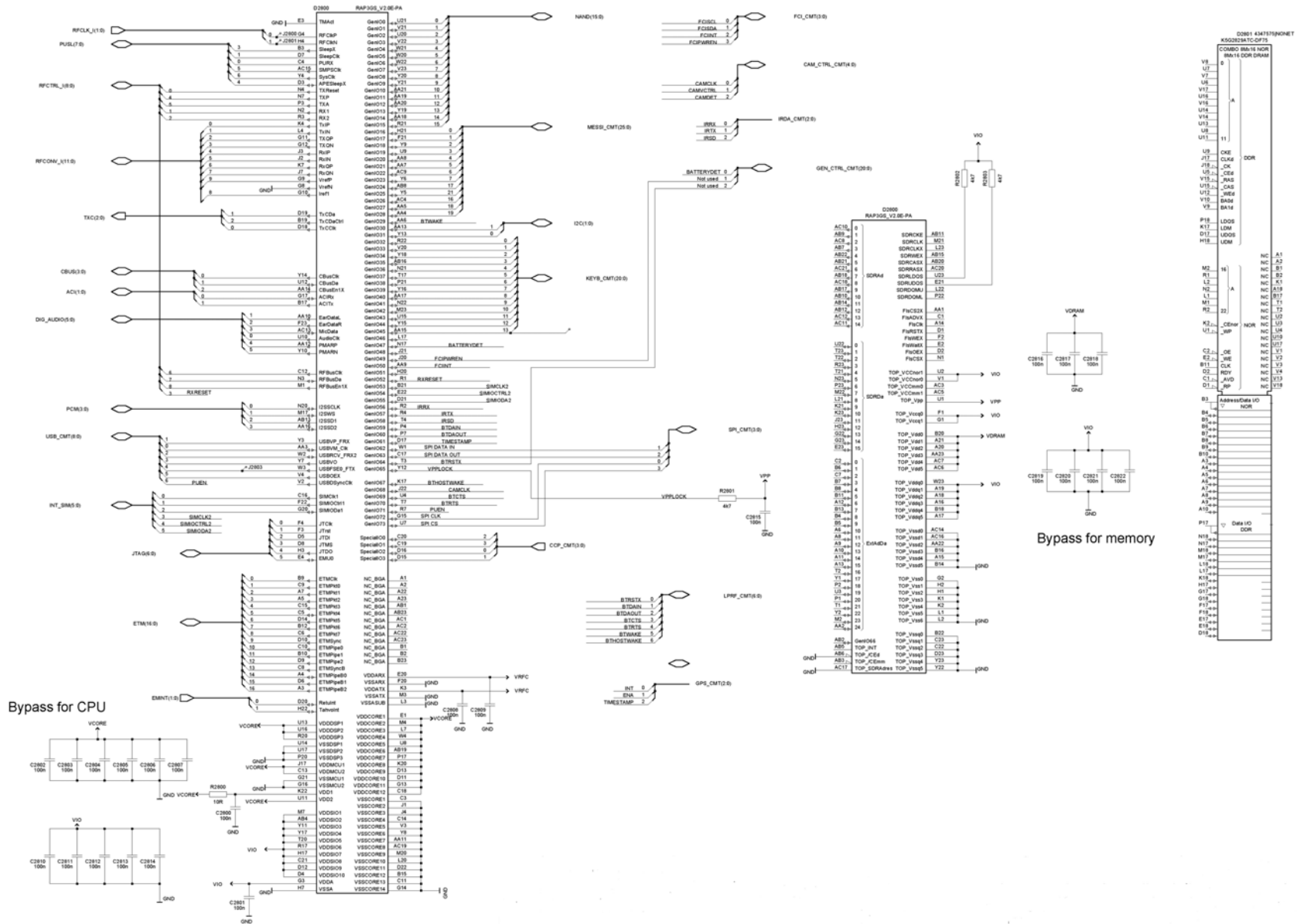
■ BB top level 2



■ CMT engine top level



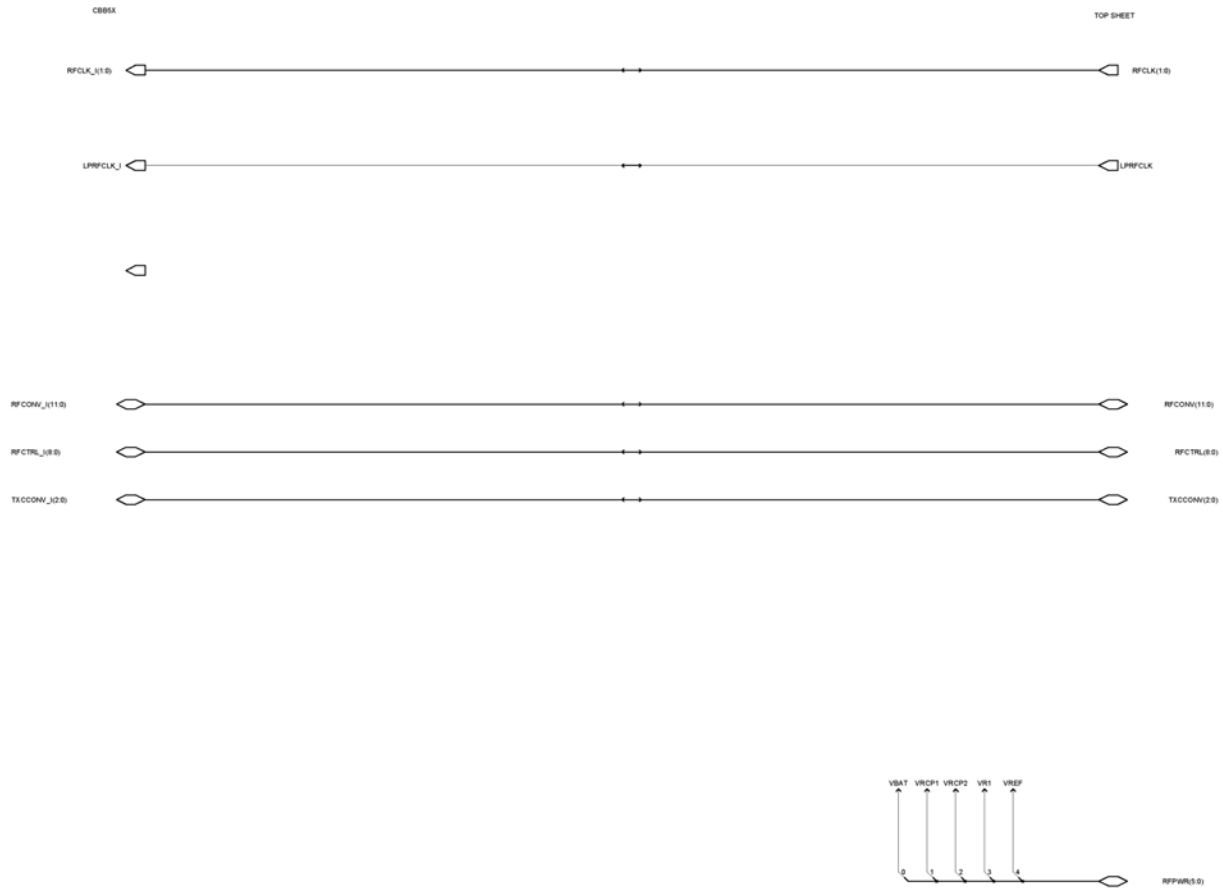
RAPstack for memory



■ **USB connections with APE**

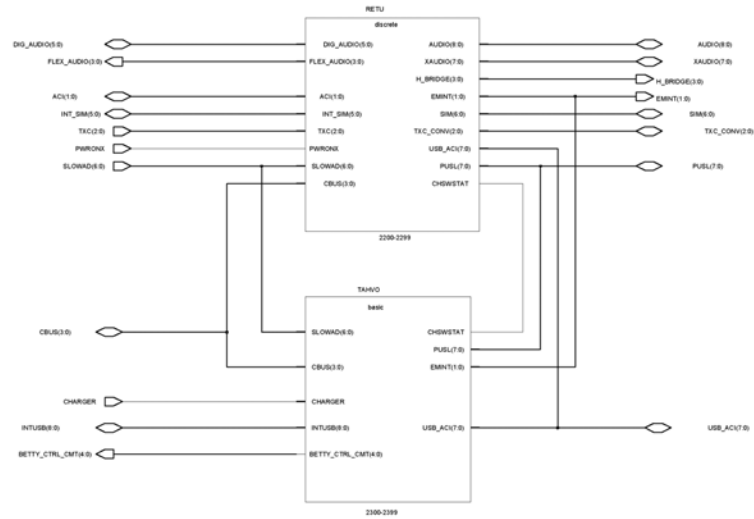


■ RF IF

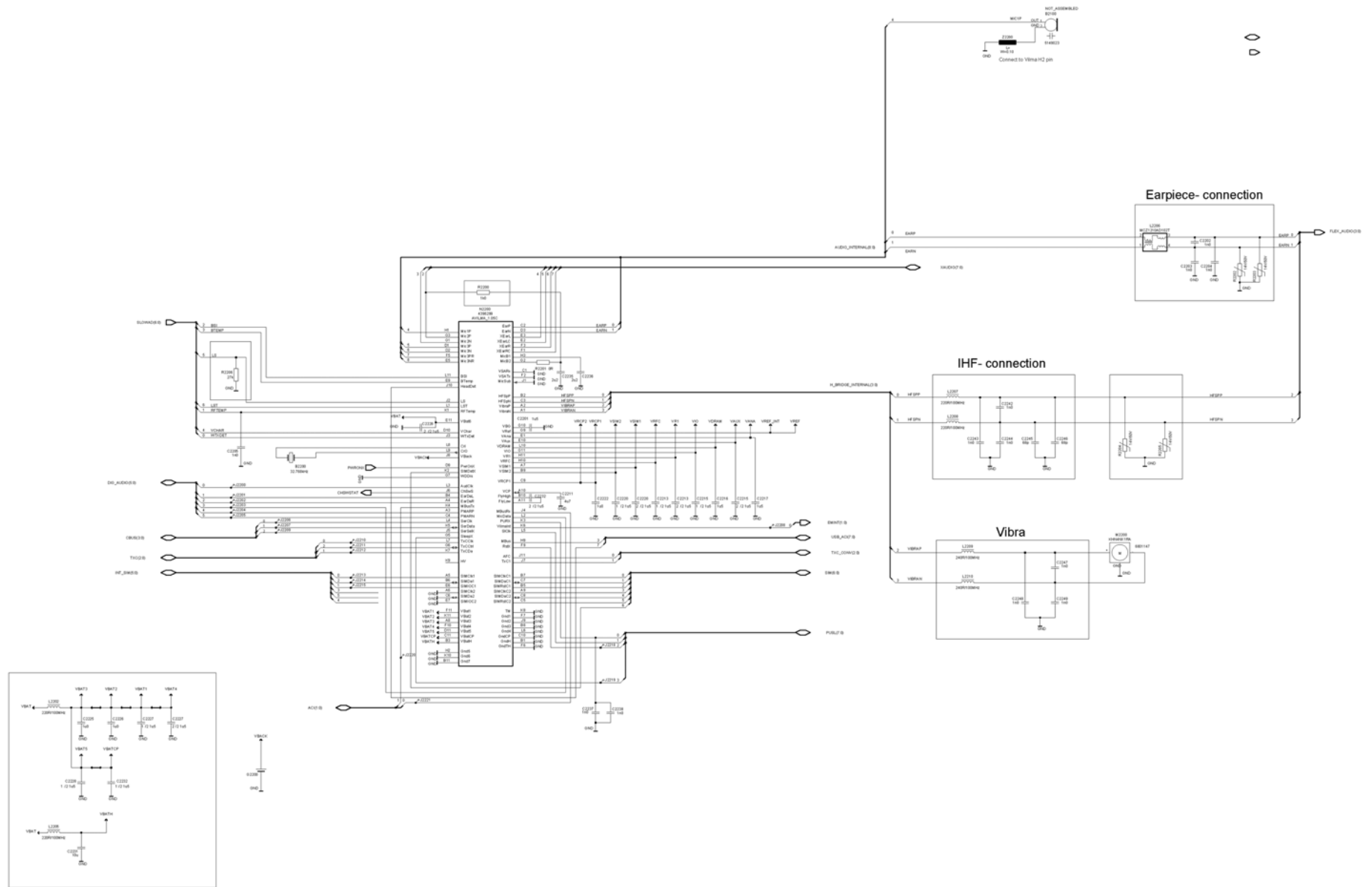




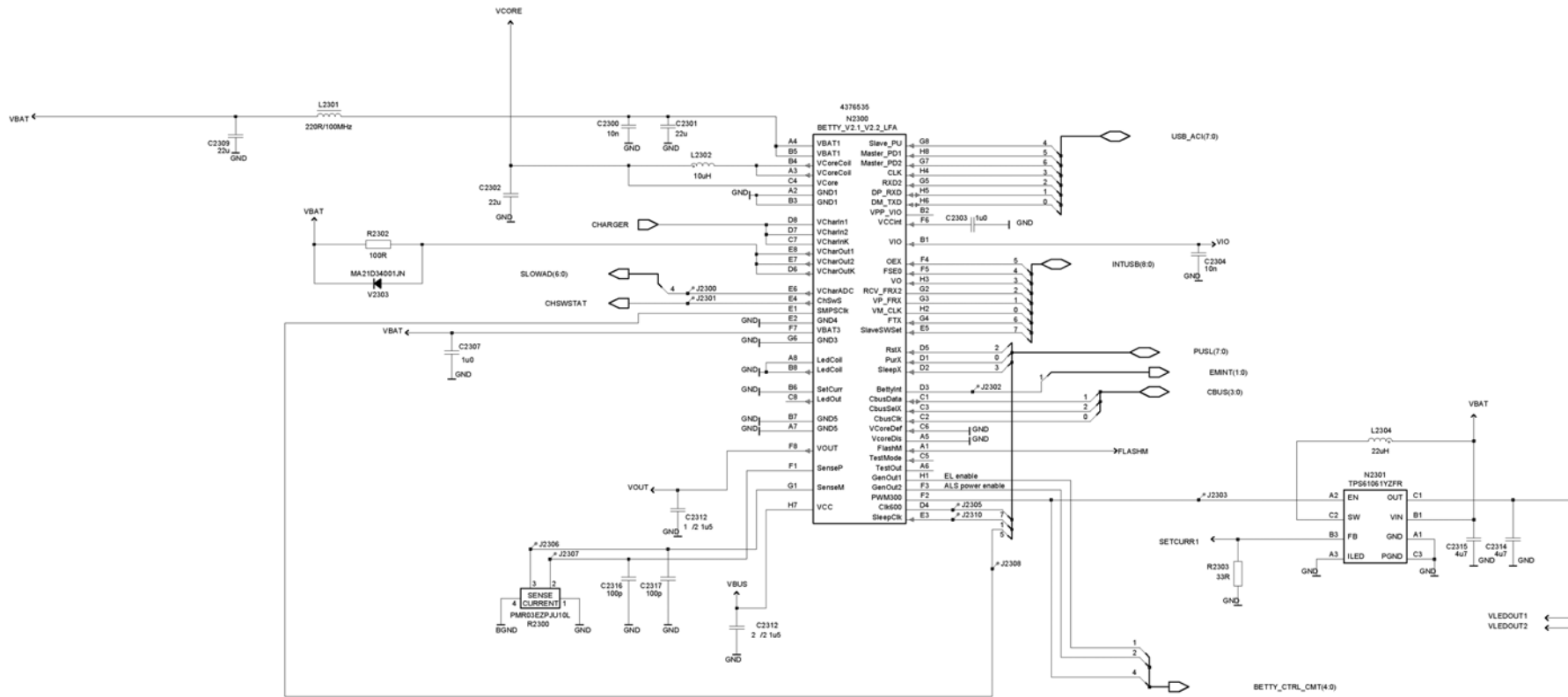
■ Energy management



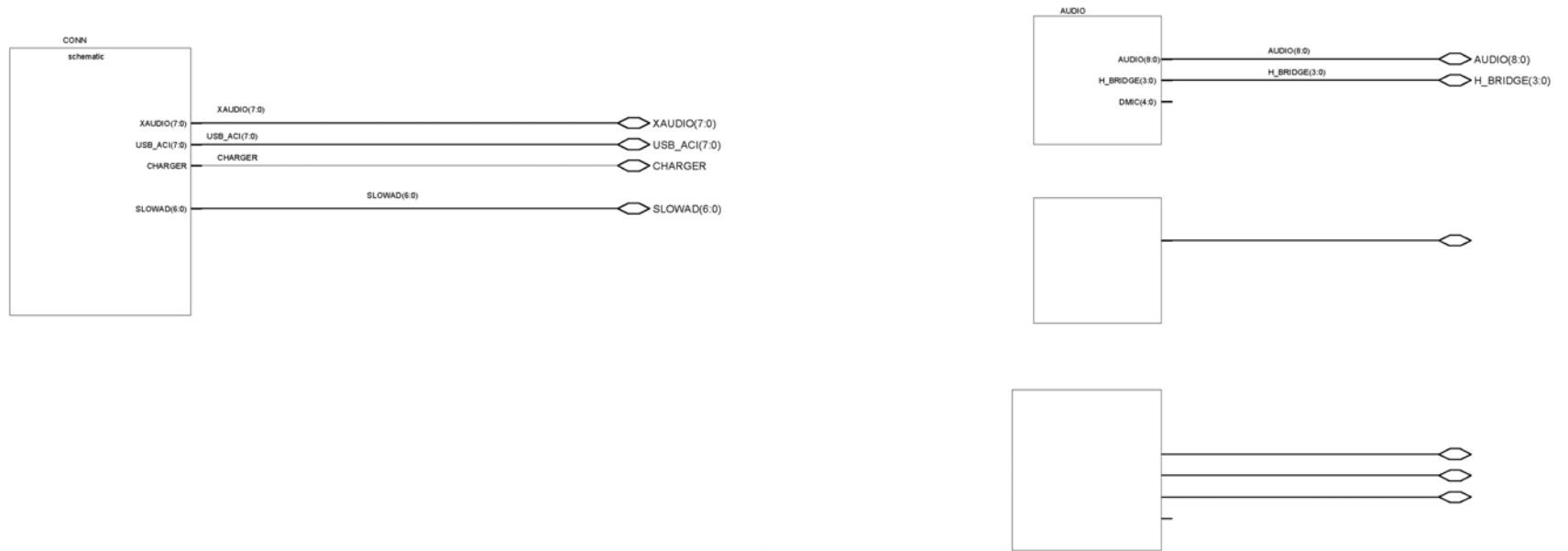
■ Vilma



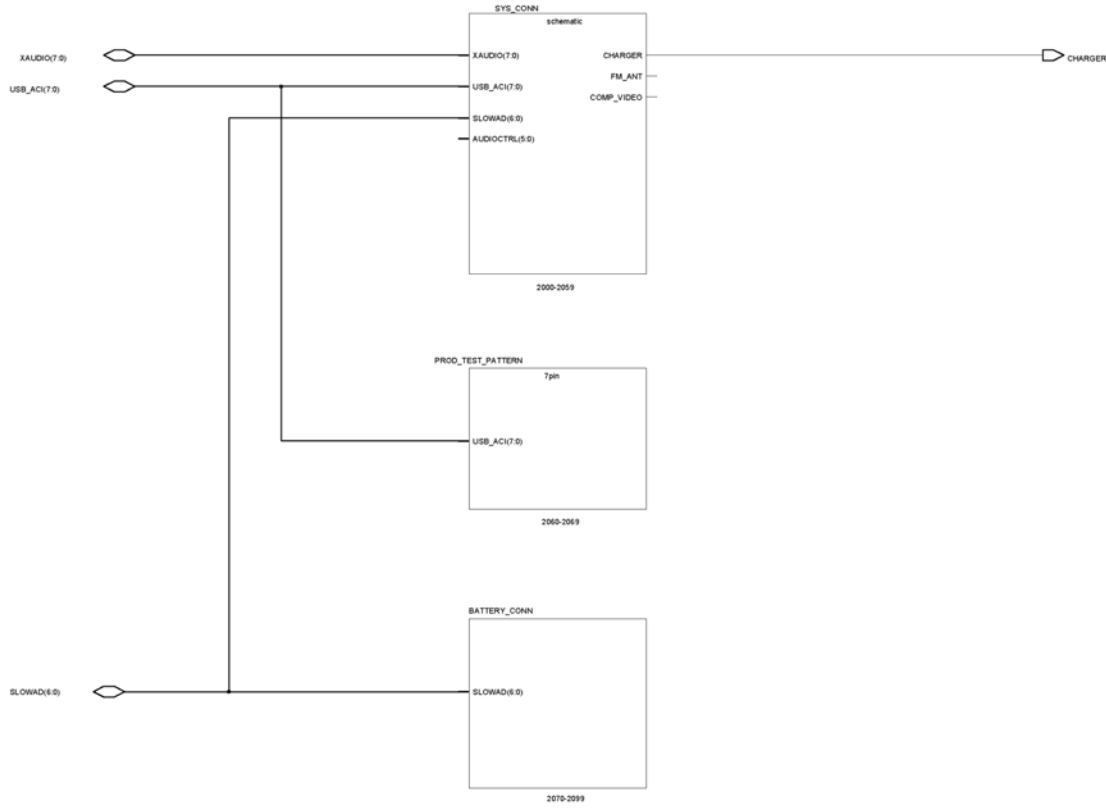
■ Betty



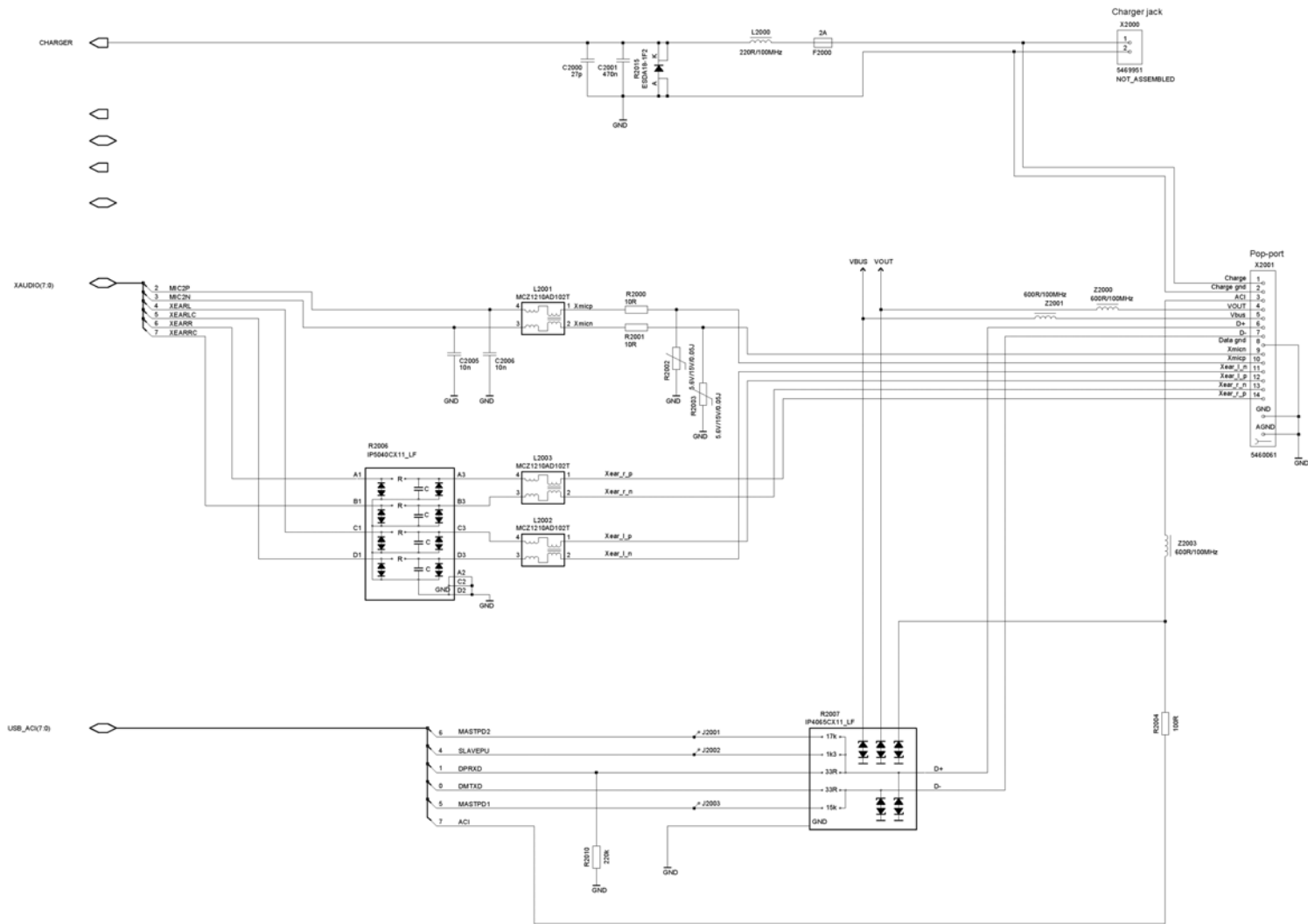
■ CMT IF top level



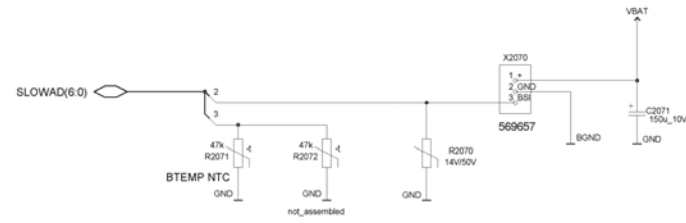
■ System and battery connector



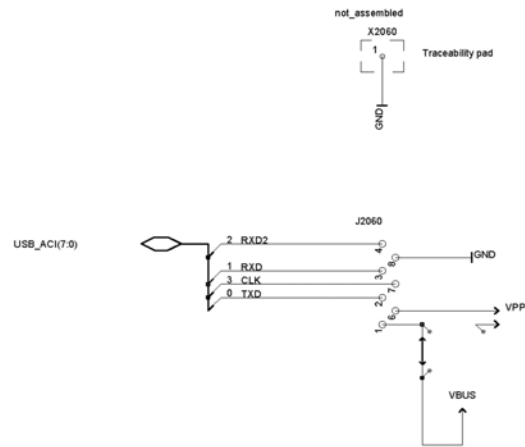
■ System connector



■ Battery connector

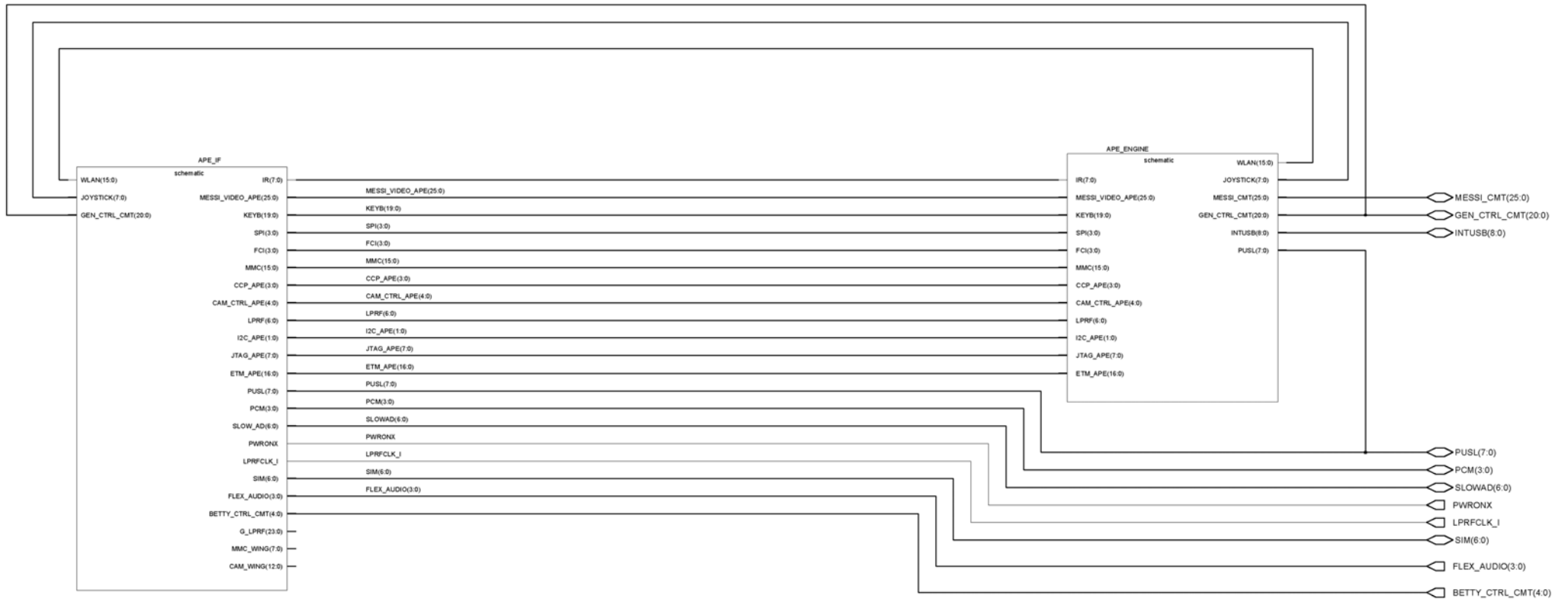


■ Test pad

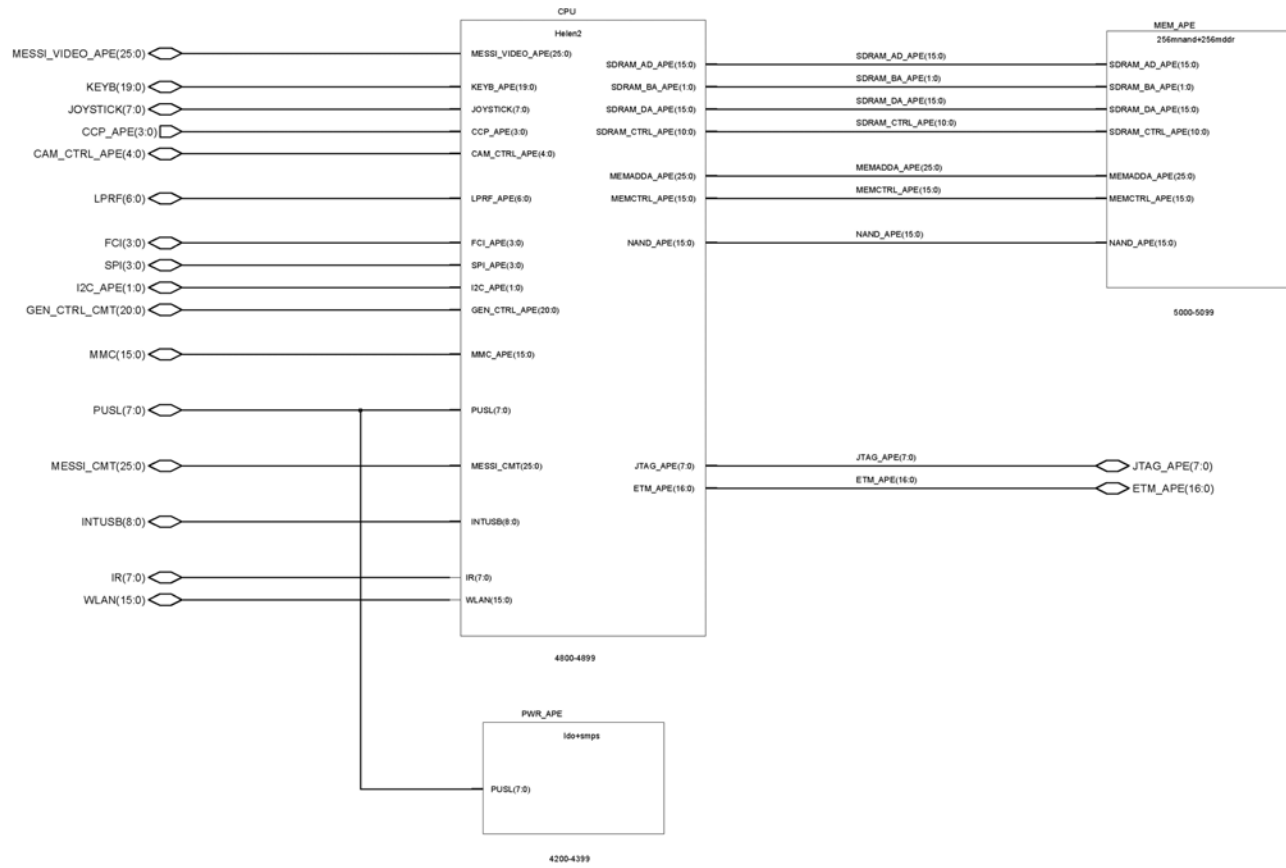




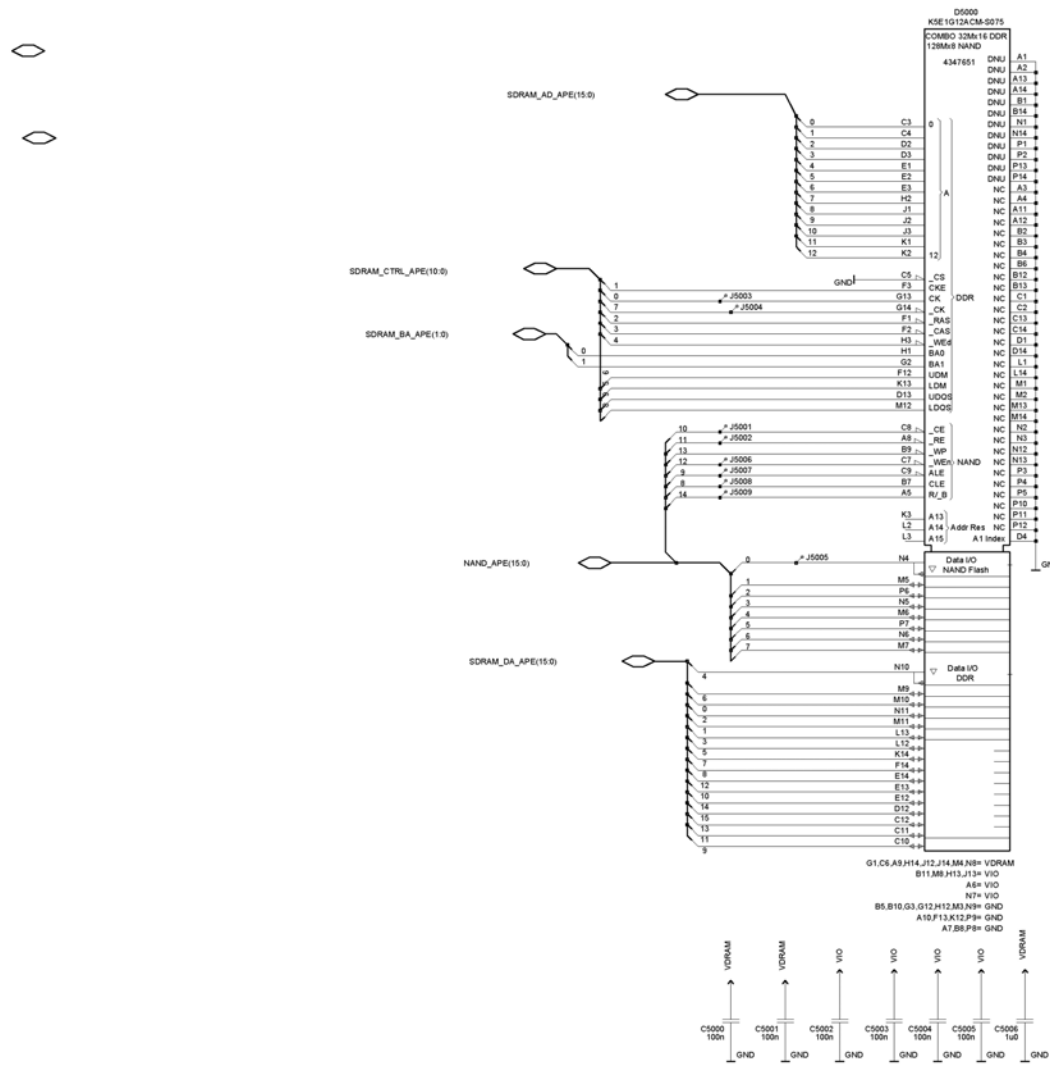
■ Application engine top level



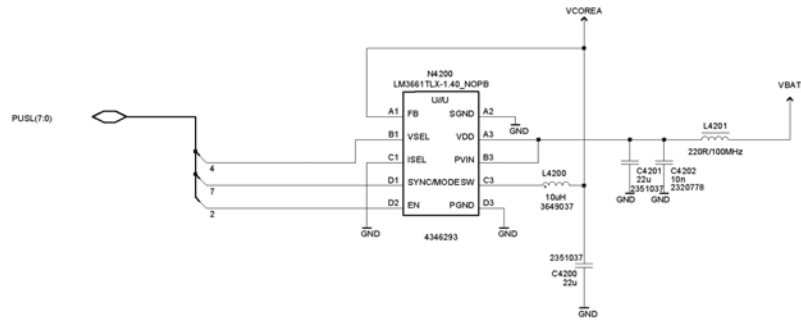
■ APE engine



■ APE memories

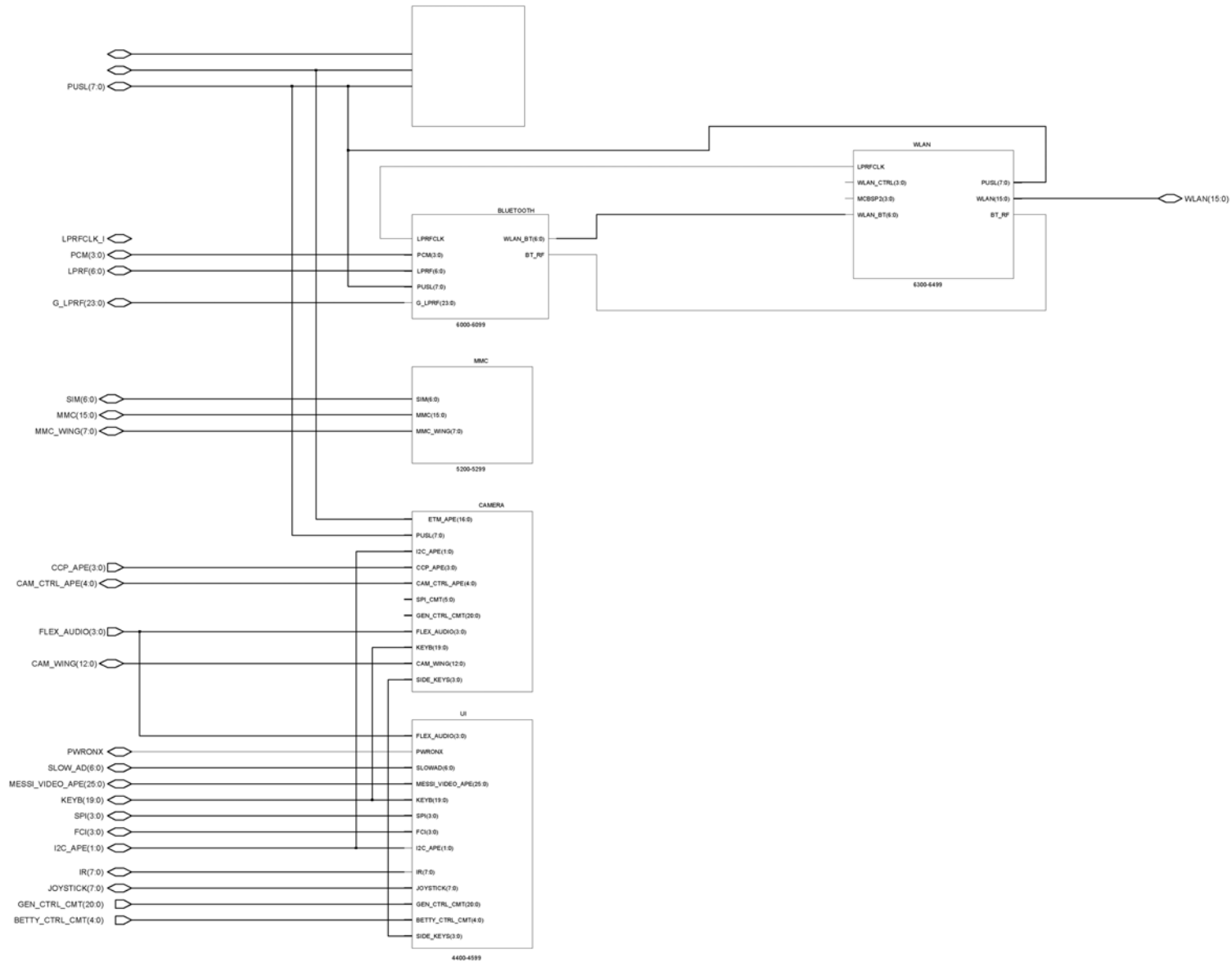


■ Regulators



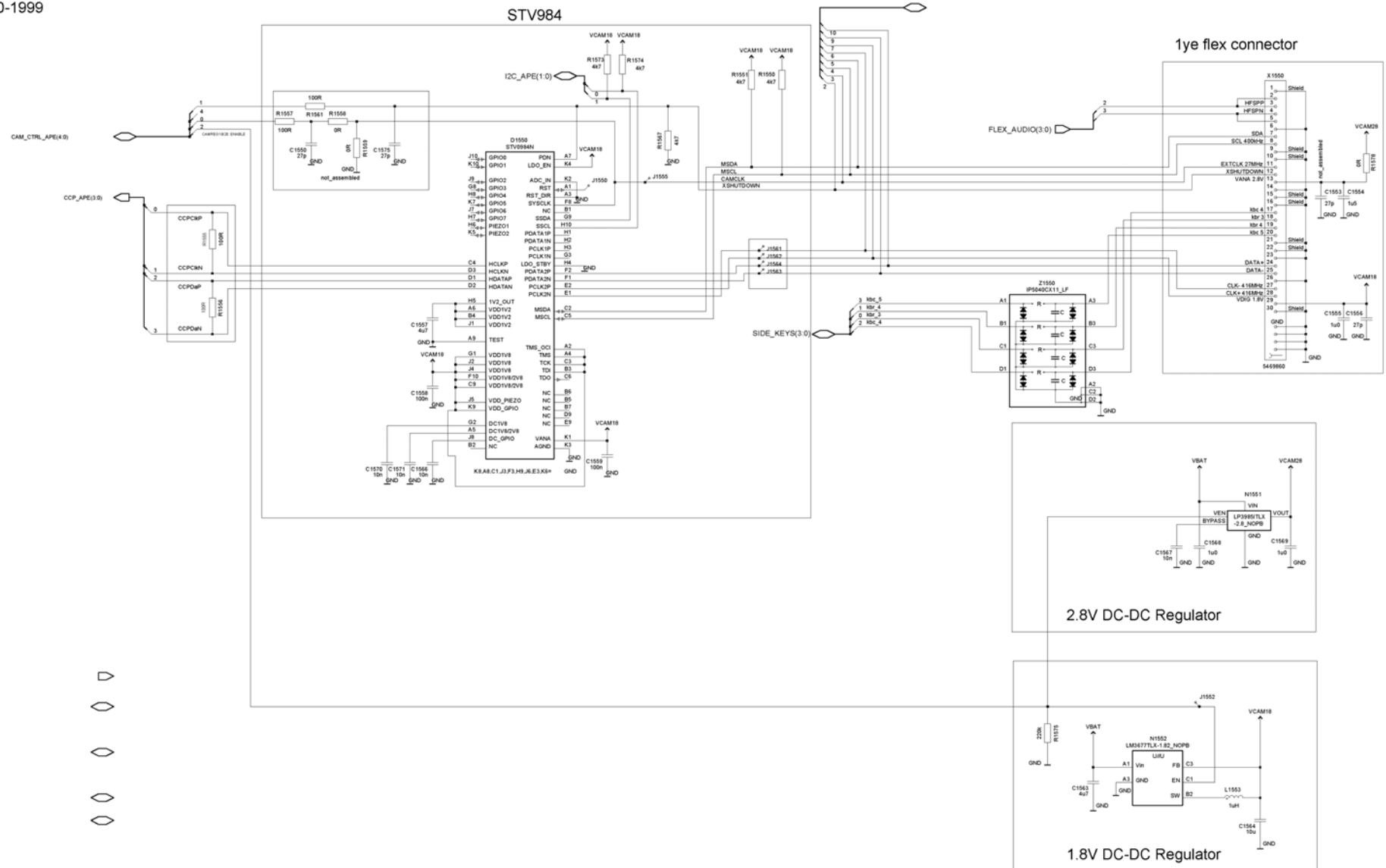


■ APE IF

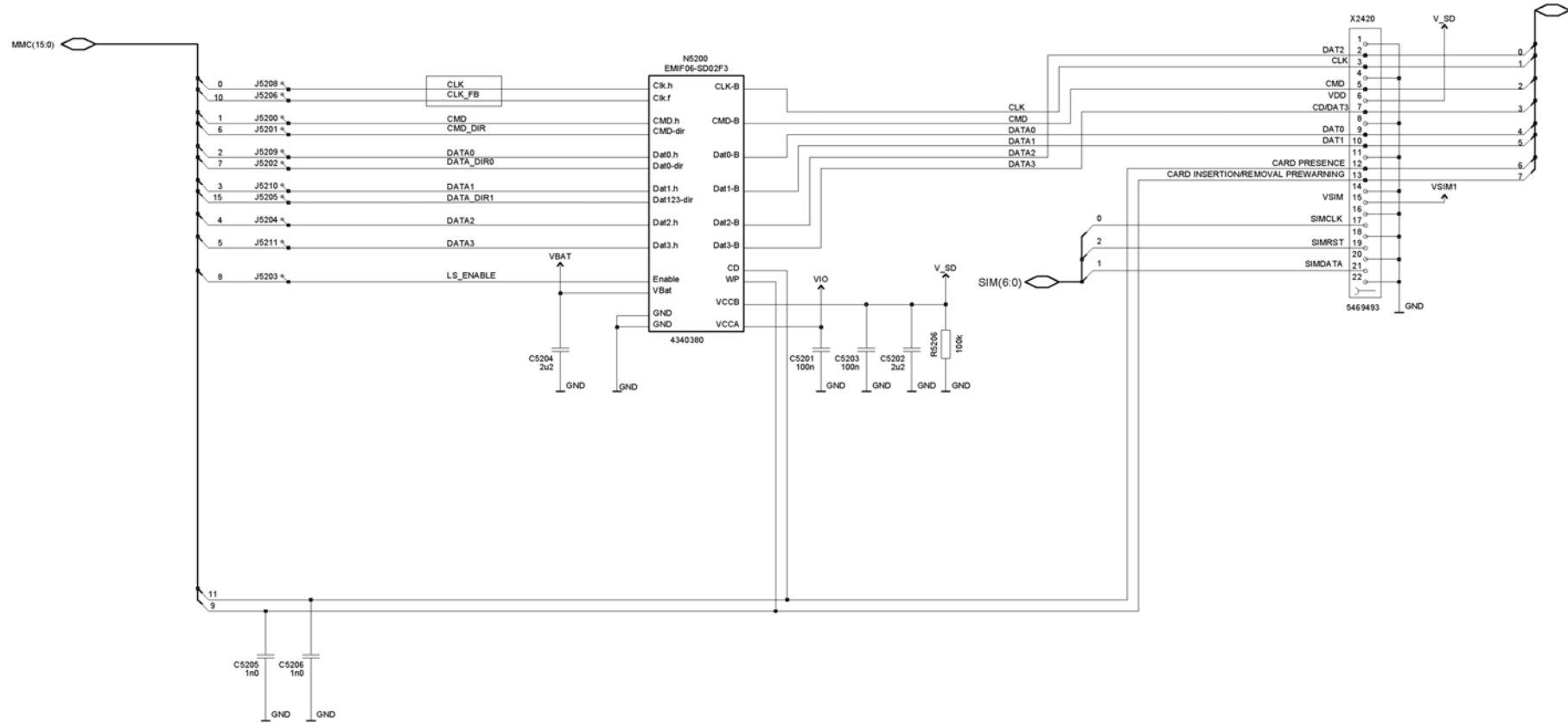


■ STV984 + SMIA85

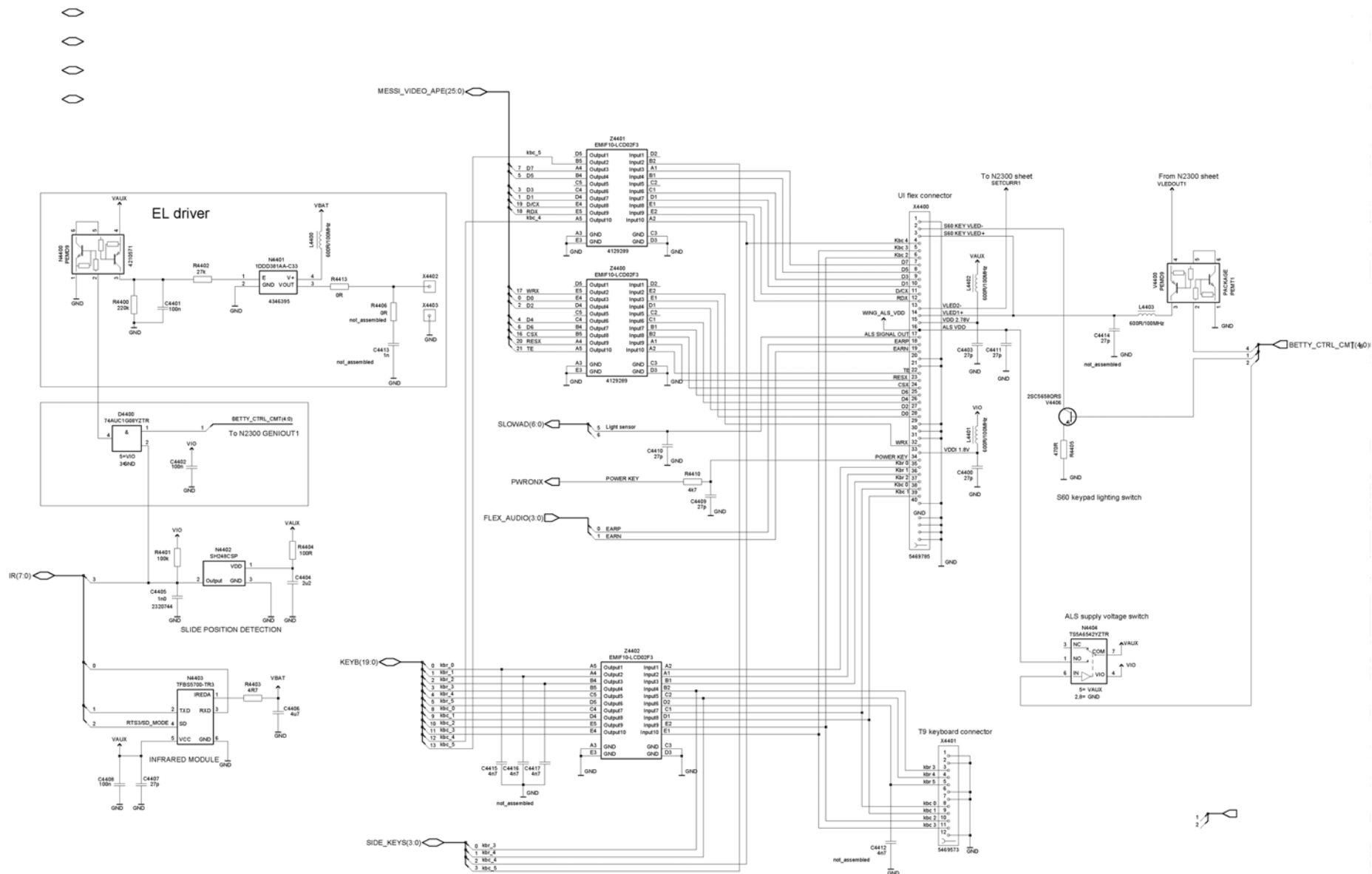
1500-1999



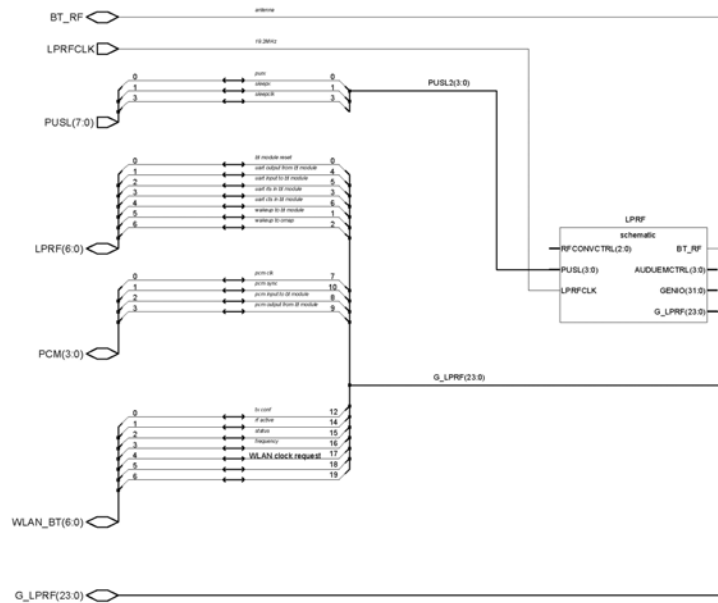
■ MMC



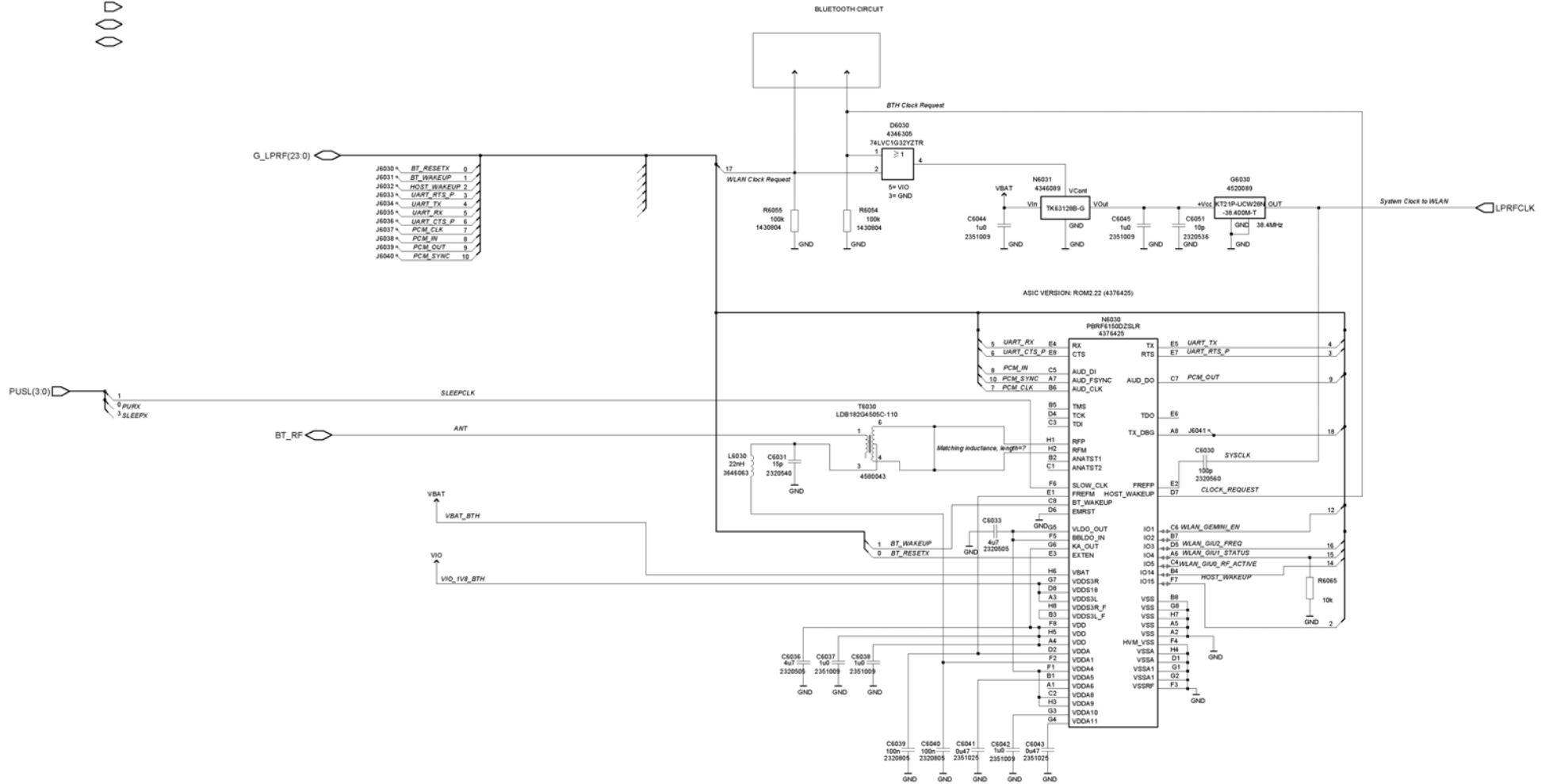




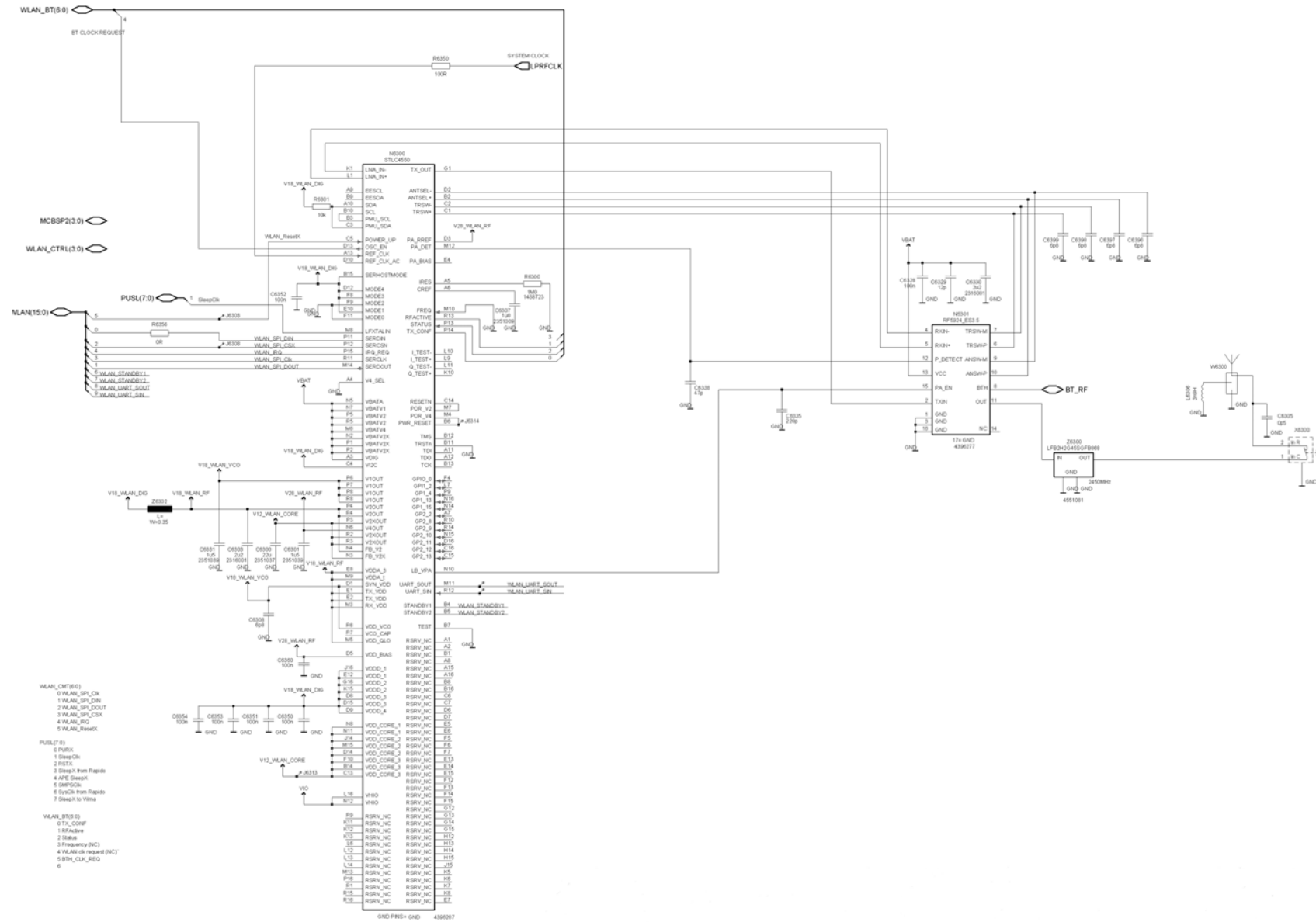
■ BT interface



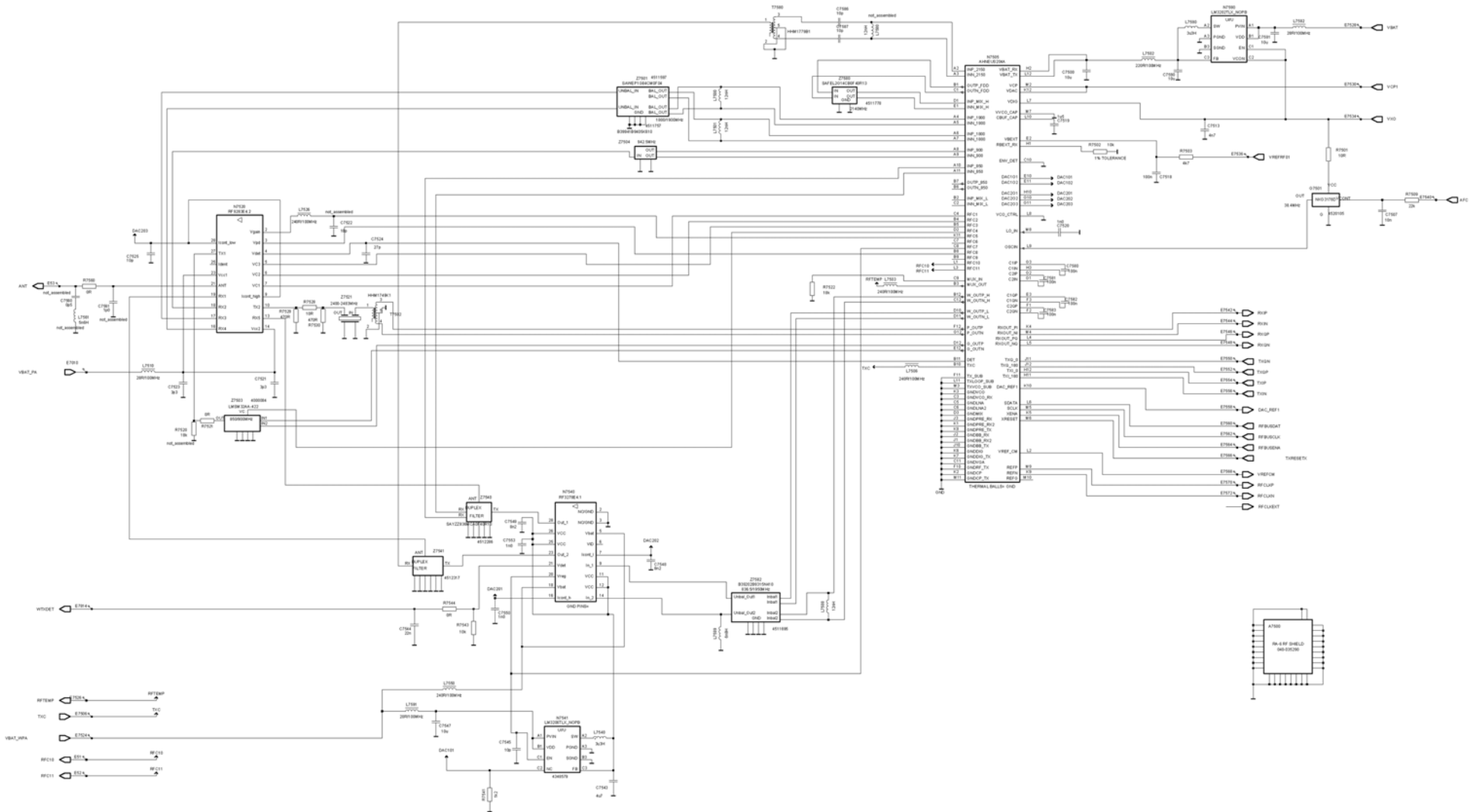
■ BTHcost



■ WLAN



RF engine



■ Antenna interface

